

# Piscine fuori terra ACQUAMARINA ANTRACITE 490x360x120 cm

## 1) TASSATIVO CONTROLLO PACKAGING

La **prima fase** consiste nel controllare che sul **BANCALE** ci siano esattamente queste **SCATOLE** riportanti questi **CODICI** nelle **QUANTITÀ** sotto elencate:

8060009	1
8060175	1
8060082	1
8060179	1
8060182	1
8060184	1
8060188	1
8060192	1
8060055	1
8060194	1
8050180	<b>GRUPPO FILRANTE</b>

## 2) CONTROLLO PEZZI

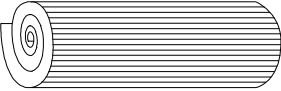

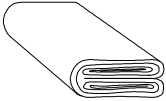

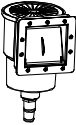
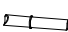
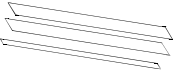

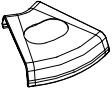











A seguire, controlla che **ogni scatola** contenga **tutti i componenti** come riportato negli elenchi qui sotto.

**8060009**

**Kit pool wall 490 grey**

Pool Wall, Hose, Skimmer,  
Accessory box\*2, Ground Sheet



- |   |   |                                |   |  |                            |
|---|---|--------------------------------|---|--|----------------------------|
| ① |    | pool wall (1 pcs)              | ⑳ |    | Top metal piece (8 pcs)    |
| ④ |    | Ground sheet (1 pcs)           | ㉑ |    | Bottom metal piece (8 pcs) |
| ③ |   | Skimmer (1 pcs)                | ⑱ |    | Rail connector(32 pcs)     |
| ⑲ |  | Self Adhesive Tape (1 pcs)     | ㉔ |    | M6 x 11 bolt (73 pcs)      |
| ⑳ |  | Upper joint protector (8 pcs)  | ㉓ |   | M6 nut (57 pcs)            |
| ㉒ |  | Bottom joint protector (8 pcs) | ㉒ |  | M6 washer (65 pcs)         |
| ㉑ |  | 4.5m Hose (2 pcs)              | ㉒ |  | M6 spring washer (40 pcs)  |
|   |   |                                | ㉓ |  | ST4.2x13 screw (36 pcs)    |
|   |   |                                | ㉔ |  | M4x10 bolt (54 pcs)        |
|   |   |                                | ㉕ |  | M8x20 bolt (20 pcs)        |
|   |   |                                | ㉖ |  | M8 nut (20 pcs)            |
|   |   |                                | ㉗ |  | ST6.3x19 screw (4 pcs)     |
|   |   |                                | ○ |  | maintenancekit (1 pcs)     |

**8060175**

**Set grey rail (20pcs)**

COMPONENTS INCLUDED:

16.17



①6



Rail (1375mm Length)(12 pcs)

①7



Side rail A (1300mm Length)(8 pcs)

**8060082**

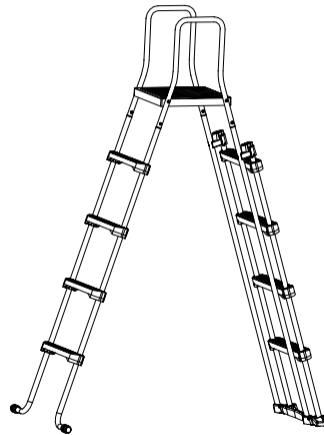
**Ladder h 122, grey**

**COMPONENTS INCLUDED:**

**6**



20



Ladder (122cm)(1 pcs)

**8060179**

**Side Beam, grey**

COMPONENTS INCLUDED:

8,9



9



B angled side beam (2 pcs)

8



C vertical side beam (2 pcs)

**88060182**

**Set Horizontal Side Beam**

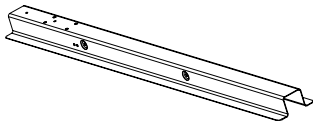
**(2pcs) grey**

**COMPONENTS INCLUDED:**

**7**



⑦



A horizontal side beam (2 pcs)

**8060184**

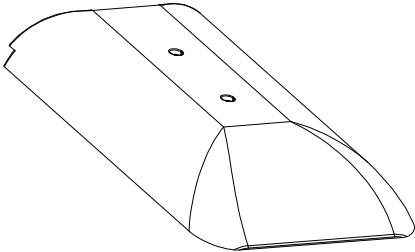
**Inside bottom Protector**

**COMPONENTS INCLUDED:**

**14**



14



**Inside bottom protector (2 pcs)**

**8060188**

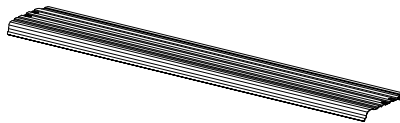
**Set Platform (10pcs) grey**

COMPONENTS INCLUDED:

24,25

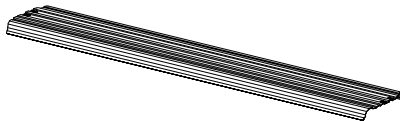


②④



Top platform (1380mm Length)(6 pcs)

②⑤



Side top platform A (1332mm Length)(4 pcs)

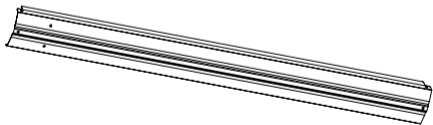


**8060192**

**Pool wall vertical  
supporto, grey**



7



Pool wall vertical support (1192mm Length)(8 pcs)

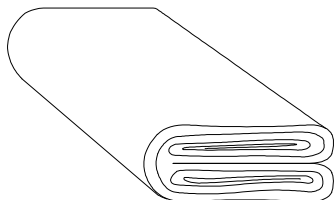
**8060055**

**Liner Acquamarina**

**490, grey**



2

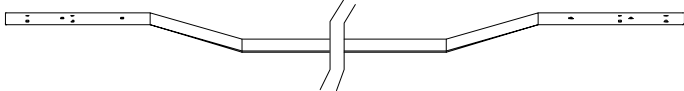
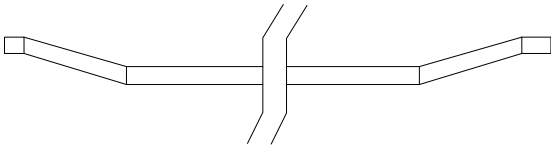
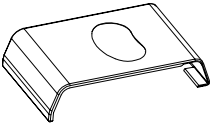
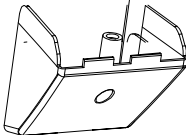
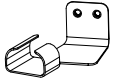
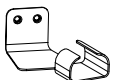
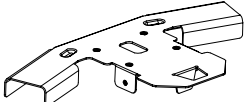


Pool liner (493612B)(1 pcs)

# 8060194

## Steal Beam(grey)



- 10  Steel Belt (1 pcs)
- 11  Pvc Sleeve (1 pcs)
- 28  Side upper joint protector (2 pcs)
- 15  Side bottom joint protector (2 pcs)
- 12  Side bottom metal piece A (2 pcs)
- 13  Side bottom metal piece B (2 pcs)
- 23  Side top metal piece (2 pcs)

**8050180**

# Gruppo di filtrazione

Il **gruppo filtro** è composto dalle seguenti parti:

1. Pompa
2. Valvola
3. Guarnizione
4. Flangia di chiusura
5. Serbatoio di filtraggio
6. Tubo con collettore
7. Filtrini parasabbia
8. Rubinetto di scarico
9. Dosatore sabbia (solo per versioni con sabbia, non necessario per Aqualoon)
10. Base di appoggio
11. Tubo flessibile

